

WONWOO

Supplied By CENTRA SECURITY SYSTEMS (UK) www.centrasecurity.co.uk

Rapport II

Multi Functional CCTV Tester

centrasecurity
SERVICES



Rapport II



Rapport II PRO

Rapport II

Multifunctional CCTV Tester with 3.5" Color LCD monitor.

Due to its popularity and attractiveness by many CCTV professionals, the Rapport II has been added to the Rapport series.

Rapport II is a multifunctional CCTV tester with a built-in 3.5" color LCD monitor. It is a simple and convenient Portable Service Monitor with Multimeter which provides monitoring of analytical data when installing CCTV systems. Professionals will value the test equipments ability to monitor Video Levels, analyze PTZ, UTP, RS-422/485, Electrical connections, and store video inputs for DVR playback. Integrated with a Lithium Polymer battery and compact flip-top design, the Rapport will ensure professional CCTV installations with efficiency and convenience.

Designed with portability and serious CCTV engineers in mind, the Rapport II will continuously support professionals and exceed expectations in the CCTV industry.

Mode Select

VIDEO TESTER

CCTV video field monitor with display Video signal level (IRE)
Video signal generator to test video equipment.

DIGITAL MULTIMETER

Test & measure Voltage, Resistance, and Continuity

PTZ CONTROLLER

Control for PTZ cameras (Pan, Tilt, Zoom and Menu Setup).
And also analyzing control protocol if camera control by external device.

UTP CABLE TESTER

Test for Direct & Cross cable, Continuity, Discontinuity,
and Short on UTP cable.

DVR MODE (*Rapport II-PRO*)

MPEG4 Digital Video Recorder allows users to store video inputs
on a SD card for future playback. (Max. 10minutes/file, 8files)

VIEW INFORMATION

Setting information of Rapport II

MAIN SETTING

Name or title change of operator / Sleeping mode time setting/
Beep sound / Brightness / Contrast / Audio volume setting



Rapport II is affordable convenient and easy to use. This product is designed to help INSTALLERS, and ENGINEERS utilize their work effectively at a cost they can afford.

Functions

➔ CCTV Field Monitor



The Rapport II features color CCTV field monitor.

It built-in 3.5 inch color TFT-LCD monitor, supports both PAL & NTSC video signal format. Display video signal level (IRE) is helpful to check the video quality. Brightness & Contrast control.

➔ Video signal generator



The Rapport II features Video signal generator.

It outputs Color bar, Red, Blue and Green screen to allow technician to inspect video monitor or DVR. Support both PAL & NTSC video signal format.

➔ Multimeter



Rapport II features Digital multimeter.

It combines the most basic instrument include a voltmeter, ohmmeter and continuity tester.

➔ PTZ Controller



The Rapport II features full function of CCTV PTZ Controller.

It controls & programs variety of Speed & Slow Dome cameras. This will allow CCTV installer to test or program PTZ cameras at the actual camera job site. It has multi protocol and programmable baud rate.

➔ PTZ Protocol Analyzer



The Rapport II features PTZ Protocol Analyzer.

It determines which protocol to control you PTZ cameras from PTZ Controller or DVR. This will guide CCTV installer to understand the protocol and find the fault device easily.

➔ UTP Cable tester



Rapport II features UTP Cable Tester.

It specified to quickly test a wire's continuity, miswiring and polarization in your network by using an attached remote terminator so you can easily test the cable whether before or after the cable is installed.



➔ Digital Video Recorder (*Rapport II-PRO*)

Rapport II features portable DVR function.

The **Rapport II-PRO** has a built-in MPEG4 Digital Video Recorder. It allows users to store video inputs on a SD card for future playback. This ensures proper CCTV installations.

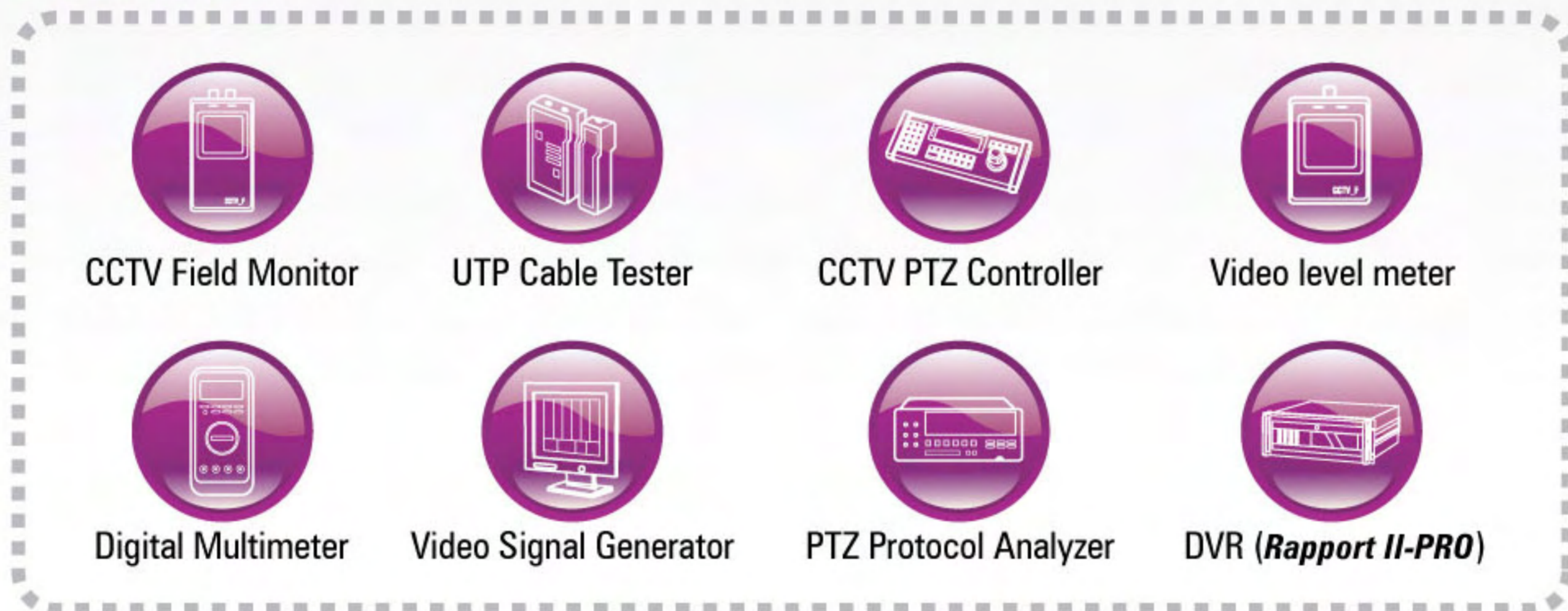
Applications



Details



Functions



Accessories



Portable bag :
for Rapport and accessories



Power Adaptor :
AC100~230V input, DC12V, 1A out



SD card :
1GB SD card to record video clip



Necklace accessory



BNC to BNC cable :
1.2m Coaxial BNC cable



Test Leads :
For test Voltage, Ampere and Resistance

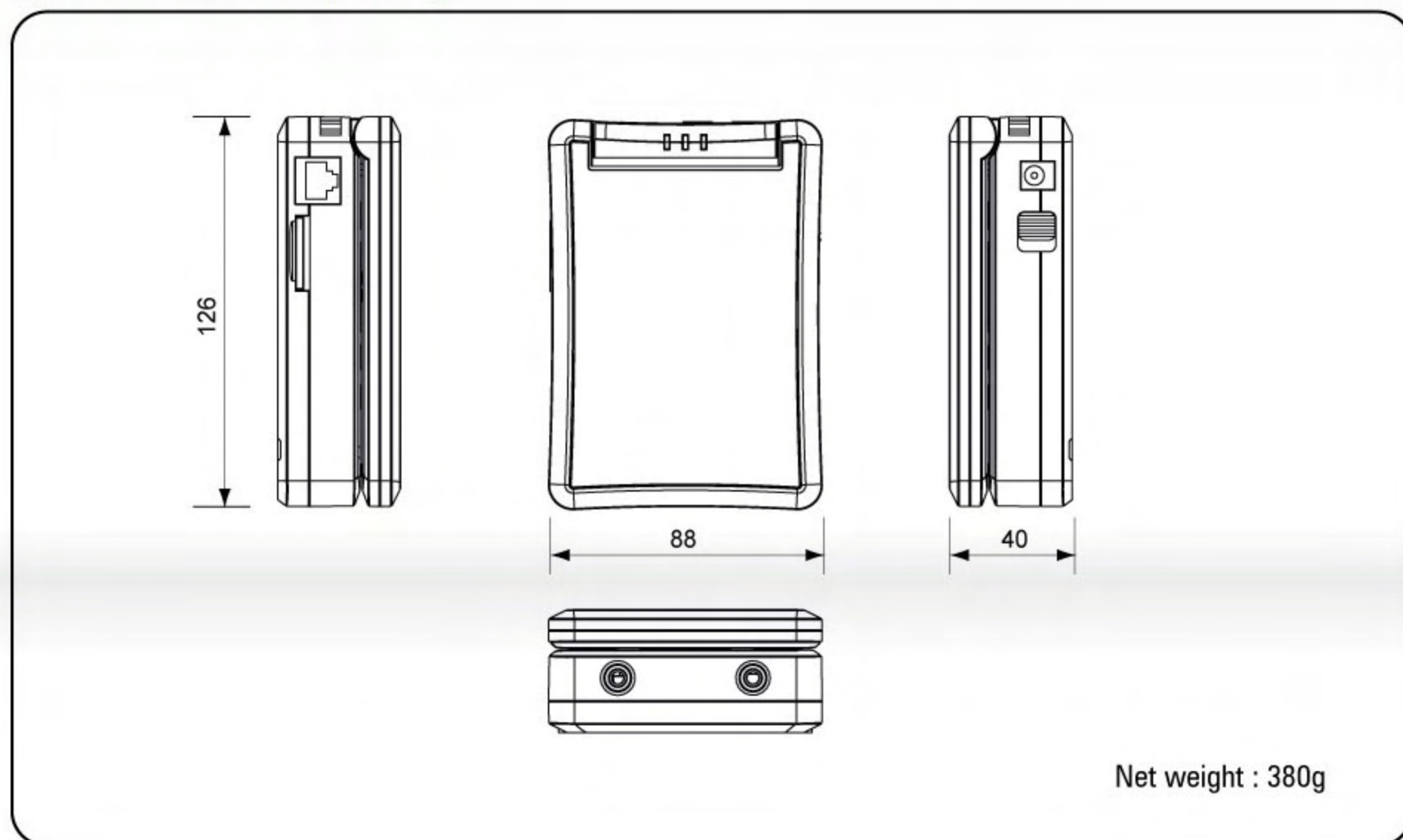


UTP test Terminal :
Yellow terminal accessory for UTP cable test

Specifications

Electrical Characteristics	Input Voltage	12V ± 10%, above 1.2A		
	Battery	Lithium Polymer Battery (Inner Packaging)		
	Built-in Charger	Charging Time	More than 6 hrs	
		Operational Time	More than 4 hrs	
Image	Signal System	NTSC/PAL		
	Video Level	1 Vp-p, 140 IRE		
PTZ Operation Test	Protocol	Multiple		
	Transmission Speed	2400bps ~ 38400bps		
	Transmission Mode	RS-422, RS-485		
UTP Cable Test	Tests	Continuity/Crossed Cable, and Breaks or Short Circuits		
Multimeter	AC Voltage	Max. 400V		
	DC Voltage	Max. 400V		
	Resistance	Max. 40 MΩ		
	Continuity	Beeper is Activated When the Resistance is Below 20Ω		
Size & Weight	W(88mm) X L (126mm) X D (40mm), Net 380g			

Dimensions (mm)



Supplied By : CENTRA SECURITY SERVICES (UK) www.centrasecurity.co.uk

WONWOO
WONWOO Engineering Co., Ltd

Korea
7F 201, Techno-park III Biz-city, 36-1 Samjeong-dong,
Ojeong-gu, Bucheon-city, Gyeonggi-do, Korea
Tel : 82 32 676 0168 Fax : 82 32 681 7880
website www.wonwoo.com E-mail sales@goodome.com

USA
2580 E. Philadelphia St. Suite A Ontario, CA 91761
Tel : 909 930 2320 Fax : 909 930 2321
Toll 888-4-WON-WOO, 888-4-966-966
website www.wonwoousa.com E-mail sales@wonwoousa.com