

ExCam[®] vario

Datasheet.

Features.

Extremely high light sensitivity by 1/3" Sensor and DC Iris

The ExCam vario includes a newly developed 1/3" Super HAD™ Interline Transfer CCD sensor that provides increased sensitivity compared to cameras featuring the 1/4-type Super HAD™ CCD.

Day / Night function

The ExCam vario features a Day/Night capability, which provides optimum sensitivity in both day and night shooting applications. As the scene illumination darkens, the infrared filter is automatically removed. The camera then switches to B&W mode enabling it to operate under a minimum illumination of 0.15 lx (AGC-Turbo, B&W).



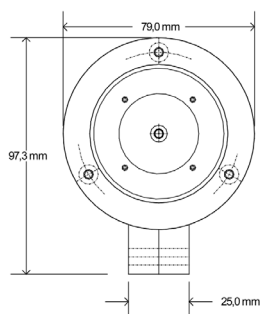
Models.

T03- XX- X- XXX- X- X
 ↓ ↓ ↓ ↓ ↓
 N = Normal temperature (0°C to +50°C)
 L = Low temperature (-20°C to +50°C)
 P = Plug BNC cable termination
 K = Terminal block cable termination
 ___ = Connecting cable length in meters (005 to 200)
 B = Execution in explosion group IIB
 C = Execution in explosion group IIC
 VA = Stainless steel housing
 AL = Aluminium housing

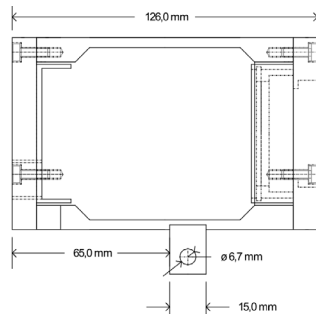
T03 = ATEX camera type No. 03

Dimensions.

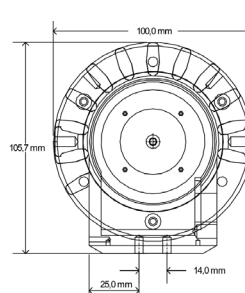
T03-VA-XX Front View



Side View from Left



T03-AL-XX Front View



Side View from Left

